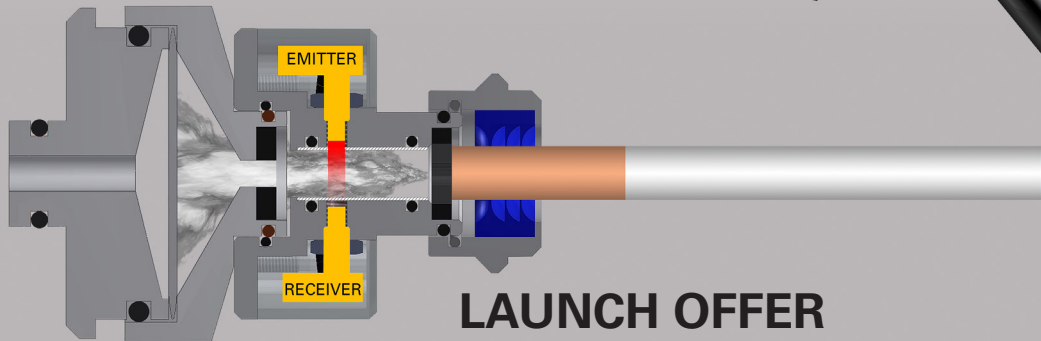


Upgrade your CETI8 with the aerosol detection system



**LAUNCH OFFER
5% DISCOUNT+**

The CETI8 EDS upgrade kit has been created to enable customers to equip their CETI8 machines with a robust end of vaping cycle system based on aerosol vapour opacity measurement.

The fibre-optic system requires very little maintenance and is easily calibrated to work with a wide range of vaping products.

Advantages and Features

- Real-time monitoring of aerosol density
- Measures opacity directly at the CFH
- Fast and sensitive measurements
- Intuitive software
- User configurable alarm warning levels
- Ideal for laboratory and factory testing applications
- Seamlessly retro-fitted to existing CETI8 machines*
- Designed and suitable for a wide range of vaping devices

Stock Code	Upgrade Option
93287	End-point detection system upgrade for CETI8

* Requires installation by qualified Cerulean engineer, serial number required

+ Offer not available with any other customer discount, offer ends 30/12/2021

www.cerulean.com
info@cerulean.com



a coesia company